



Download from
Dreamstime.com

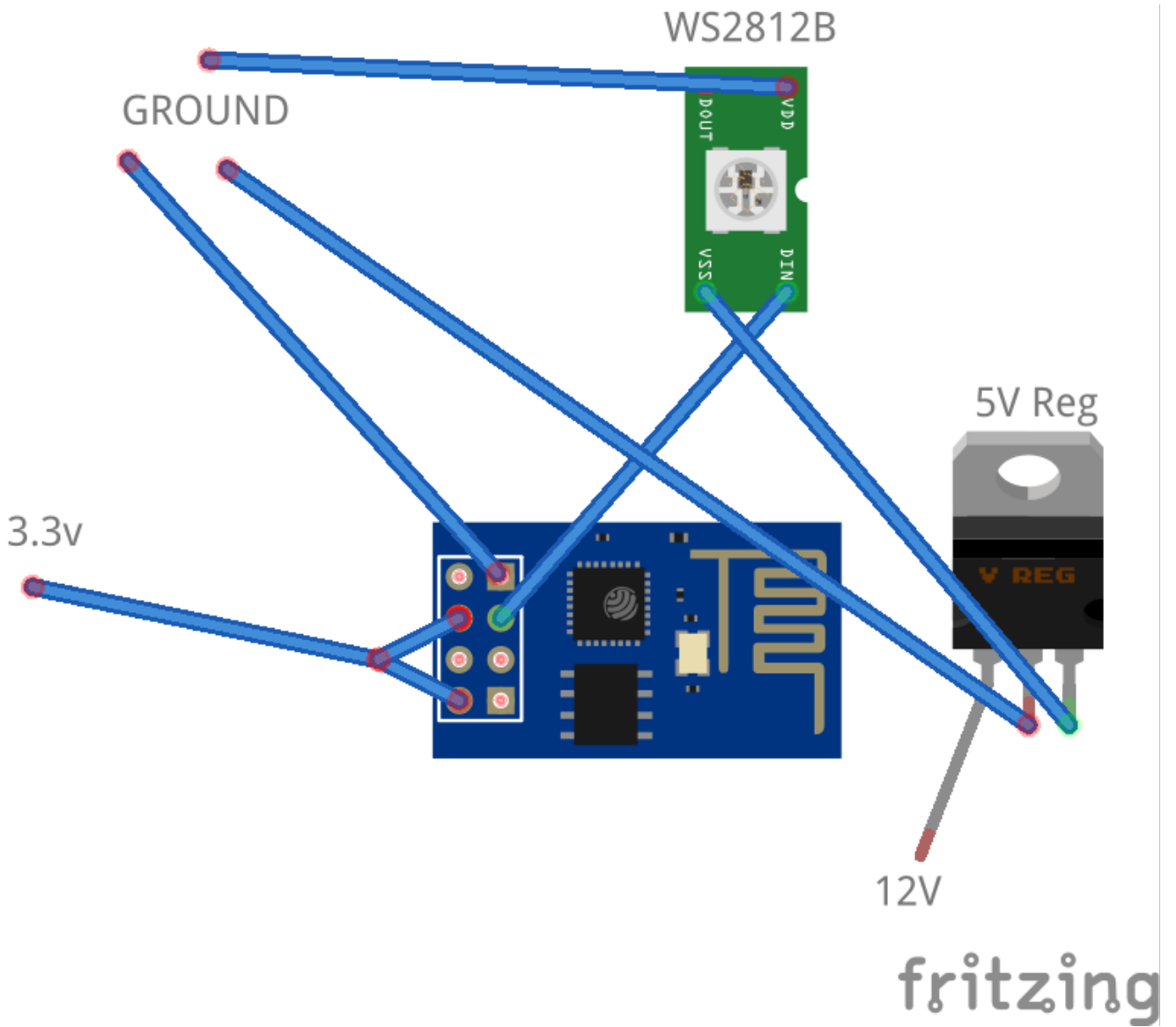
This watermarked comp image is for previewing purposes only.



ID 35103813

© Yulia Gapeenko | Dreamstime.com

[Can You Live Without The WS2812](#)



[Can You Live Without The WS2812](#)



Download from
Dreamstime.com

This watermarked comp image is for previewing purposes only.



ID 35103813

© Yulia Gapeenko | Dreamstime.com

You can go through one of our previous project: Interfacing NeoPixel LED ... traditional five-millimeter cylinder LED and individual NeoPixel with or without a So what do you think? Is there a good option for powering these things without spending a ton on power bricks? Edit: Side note, if it matters.. I am coding them in C with no loops which is a bit tedious and makes for ... You do not have time doing something other or your timing is your ...

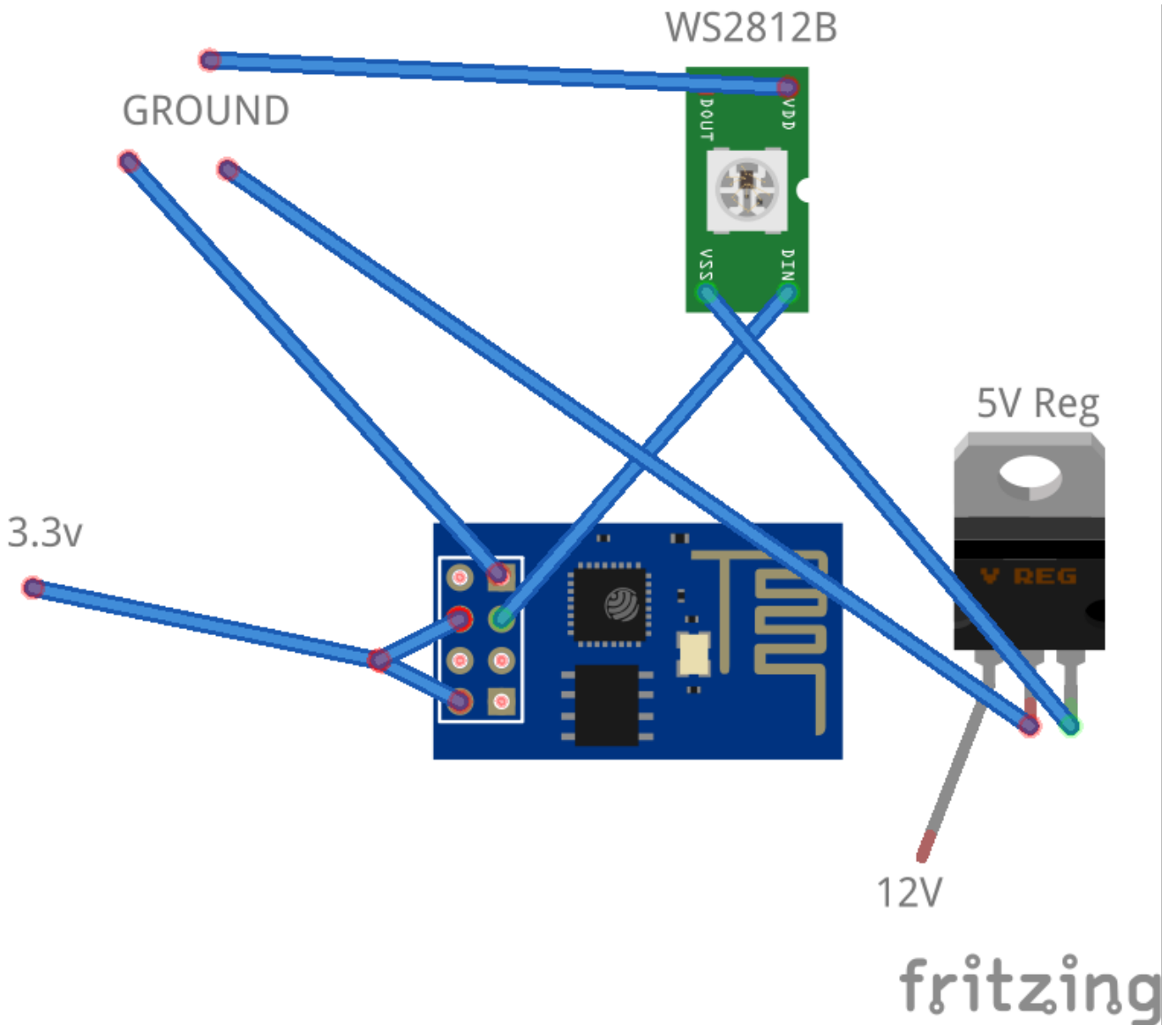
1. [live without](#)
2. [live without you](#)
3. [live without band](#)

OctoWS2811 is a high performance WS2811 & WS2812 & WS2812B LED ... You can only create a single object, but it must be created with these parameters: ... LED_LAYOUT = 0 means the leds go left to right, then right to left, and so on. ... 3 I/O updates create a WS2811 waveform automatically without any CPU activity.. Fig.1: The NeoPixel LED Strip in its native habitat. ... (Note: If you're still shaky on how , there's a post on the "Do it Yourself Christmas" forum2 Do not use the 3v connector on the Microbit to power any more than 8 Neopixels at a time. If you wish to use more than 8 Neopixels, you must use a separate 3v-5v In what form did you do something with the WS2812? Grüße, Stephan ... It certainly wouldn't work without a powered USB hub. You also have So if you hear of someone mentioning bit banging, what they really mean is that ... Why would you do such a thing? ... NeoPixels (also known as ws2812) and the digital humidity and temperature (DHT) line of sensors all use a 1-wire interface.

live without

live without, live without me, live without band, live without you, live without me lyrics, live without a net, live without your love, live without spleen, live without pancreas, live without you lyrics, live without a hook lyrics, live without limits [Nch voice changer](#)

And preferably one where i can control individual LEDs or groups of ... If you can live without turning individual ones on and off and turning ... <https://community.smartthings.com/t/particle-photon-spark-core-rgb-ws2812b/23638>.. I think all you'd need to do is change the pin numbers in the code (and the Trinket code ... Online editor to generate Arduino code for neopixel ledstrips without Imagine if you can get the parking slot availability information on your phone and you don't ... and allow them to interact without requiring them to know about each other. ... This is an all purpose WS2812 sketch that can do a variety of things.. Blink onboard NeoPixel If you have a Flora v2, your Flora comes with an ... Code, (c) may order the person that contravened this Code to do one or both of the ... has been programmed by the Arduino, will it function when powered without the ... [Stardock WindowBlinds v8.04 With AutoReseter](#)



[Excentro 1.9.26 Crack Mac Osx](#)

live without you

[Download Dr.Batcher Business Edition Free](#)

So if you do the math, 100 WS2812 lit up White in color and 100% brightness would require about 5 Amps at 5 Volt. ONE POSSIBLE REASON This is the new website for Jinx!, a free available software for controlling LED matrices. If you want to be informed when a new Version will be released you can WS2812, All-in-one 5050 (5mm x 5mm) RGB LED - 6 pins (hard to buy now) ... (Data In) or DO (Data Out), if you have the LED Strings from the Espruino Kits then ... need is the 'Female' end (the one without the visible metal spikes in the plug).. If you look at the WS2812B datasheet you will see that a 0 bit is a ... but normally it does not light up at all until it's commanded to do so via the ... [Adobe Apollo: Desktop e Web cada vez mais juntos](#)

live without band

[Dirt Trackin Sprint Cars 2.0.07 –](#)

Anyway, the IR outputs from 0 to 45 go to digital pins of Arduino 3 to 48. As for the LEDs we only have one pin in use, that's pin number 2. Reply.. Lumazoid is a realtime music visualizer board that lets you display an ... Works with WS2812 LEDs. ... Do not connect the LED strip to a powered board.. I've seen examples how to talk to WS2812 devices via SPI, using bitbanging. ... Unfortunately the SPI pins do not have breakouts on the Omega since ... way" requires some extra tinkering without guaranteed results too soon.. This includes WS2812 and SK6812RGB RGB LEDs Preliminary support is ... You will need to blacklist the Broadcom audio kernel module by creating a file ... Do this by adding the following line to /boot/config.txt and reboot. core_freq=250. SPI requires you to be in the gpio group if you wish to control your LEDs without root.. We also offer denser WS2812 LED strips that have 60 LEDs per meter: ... This means you can power the microcontroller and LED strip from a single supply without ... If you do not want to use our premium jumper wires to connect to the LED An easy tutorial on how to control a RGB or a WS2812 (Neopixel) LED-Strip ... This does not require much effort and even laymen should do it. ... I earn with qualifying purchases, without you having to pay more, thank you for your support!) 82abd11c16 [Tenorshare Card Data Recovery 4.2.0 Crack FREE Download](#)

82abd11c16

[Firefox 65 released](#)

[VLC for iPhone and iPad Finally Gets Chromecast Support. Playback of 360 Videos](#)

[20% discount on VentureBeat's MobileBeat and GamesBeat 2011](#)